

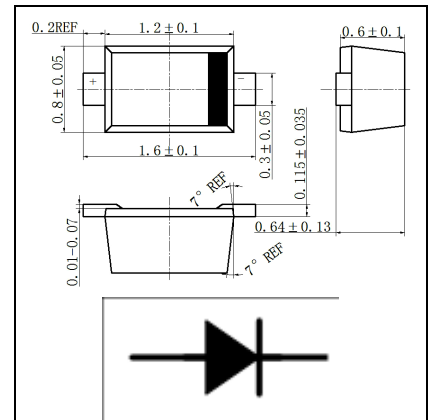
## SOD-523 Plastic-Encapsulate Diodes

### RB520S30 Schottky Barrier Diode

#### Features

- Low Forward Voltage Drop
- Flat Lead SOD-523 Small Outline Plastic Package
- Matte Tin(Sn) Lead Finish

Marking: B



#### Maximum Ratings (T<sub>a</sub>=25°C unless otherwise noted, Single Diode)

Symbol	Parameter	Value	Unit
V <sub>RM</sub>	Repetitive Peak Reverse Voltage	30	V
I <sub>F(AV)</sub>	Average Rectified Output Current	200	mA
I <sub>FSM</sub>	Peak Forward Surge Current (At 8.3ms single half sine-wave)	1	A
P <sub>D</sub>	Power Dissipation	200	mW
T <sub>J</sub>	Junction Temperature	125	°C
T <sub>stg</sub>	Storage Temperature range	-55 to +125	°C

#### Electrical Characteristics (T<sub>a</sub>=25°C unless otherwise specified)

Symbol	Parameter	Test Conditions	Min	Typ	Max	Unit
V <sub>(BR)</sub>	Reverse voltage	I <sub>R</sub> = 500μA	30			V
V <sub>F</sub>	Forward voltage	I <sub>F</sub> = 200mA			0.6	V
I <sub>R</sub>	Reverse Leakage current	V <sub>R</sub> = 10V			1	μA

# Typical Characteristics

